

# 2J6524Ba 2J6524Ma (DATASHEET)

<b>Type</b>	LTE MIMO antenna
<b>Frequencies</b>	2x 4G/LTE (791-862/1710-2690 MHz) AMPS (824-894 MHz) GSM (900 MHz) DCS (1800 MHz) PCS (1900 MHz) 3G (UMTS 2.1 GHz)
<b>Mounting</b>	B-Body Mount M-Magnetic Mount
<b>Revision</b>	00



  
P. Tipul



# 1. SPECIFICATION

## 1.1. Electrical Specifications

### LTE (Cable 1)

Frequencies	4G/LTE (791-862/1710-2690 MHz) AMPS (824-894 MHz) GSM (900 MHz) DCS (1800 MHz) PCS (1900 MHz) 3G (UMTS 2.1 GHz)
Impedance	50 Ohms
Polarization	Linear
Gain	5 dBi
VSWR*	<6:1
Power handling	50 W

### LTE (Cable 2)

Frequencies	4G/LTE (791-862/1710-2690 MHz) AMPS (824-894 MHz) GSM (900 MHz) DCS (1800 MHz) PCS (1900 MHz) 3G (UMTS 2.1 GHz)
Impedance	50 Ohms
Polarization	Linear
Gain	5 dBi
VSWR*	<6:1
Power handling	50 W

### Environmental

Operating temperature	40°C to +85°C
Certificates	IP67, IK09

\*Values stated when measured on 20x20cm ground plane with 1m cable length

## **1.2. Connection Specifications**

### **1.2.1. 2J6524Ba**

Cable 1 (LTE):  
Connector type: SMA male  
Cable: RG58  
Cable length: 1 m

Cable 2 (LTE):  
Connector type: SMA male  
Cable: RG58  
Cable length: 1 m

For different cable length and connector type ask our sales team.

### **1.2.2. 2J6524Ma**

Cable 1 (LTE):  
Connector type: SMA male  
Cable: RG58  
Cable length: 1 m

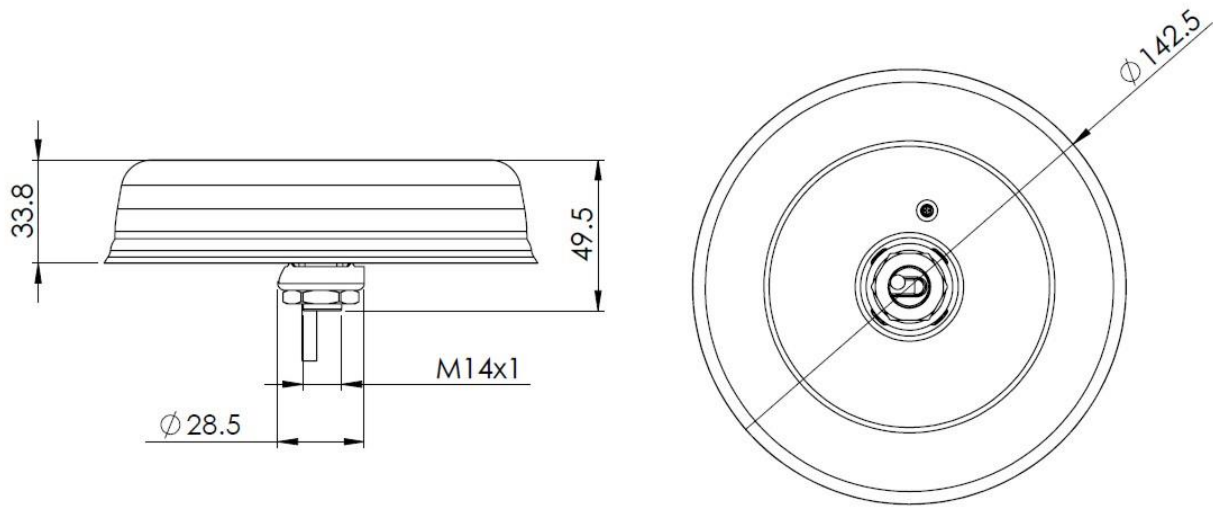
Cable 2 (LTE):  
Connector type: SMA male  
Cable: RG174  
Cable length: 1 m

For different cable length and connector type ask our sales team.

## **1.3. Mechanical Specifications and Dimensions**

### **1.3.1. 2J6524Ba**

Material: Lid: ABS / Base: Zamak / Gasket: TPE  
Max. dimensions: 146mm x 32mm (when placed on ground-plane)  
Colour: Black/ Green/ White (for different colours please ask our sales team)



### 1.3.2. 2J6524Ma

Material:

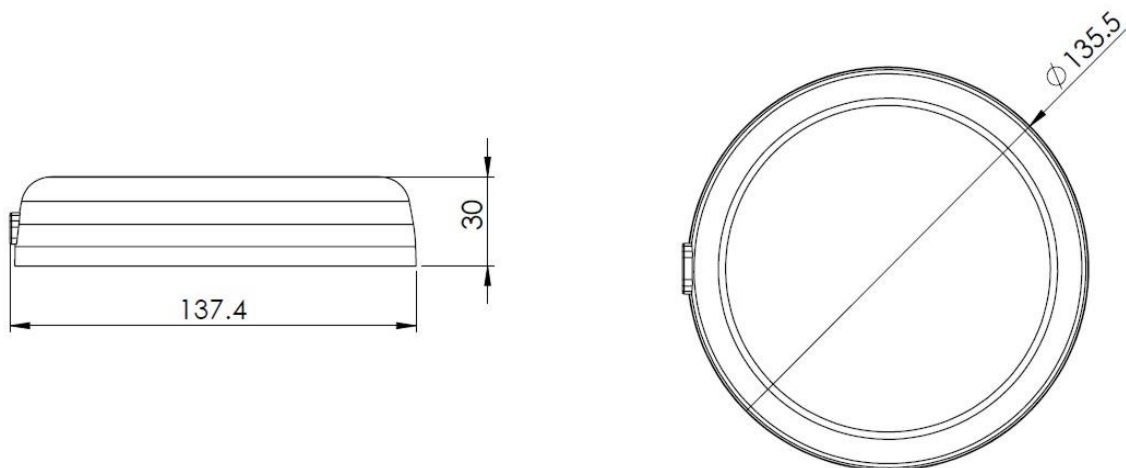
Lid: ABS / Base: Zamak

Max. dimensions:

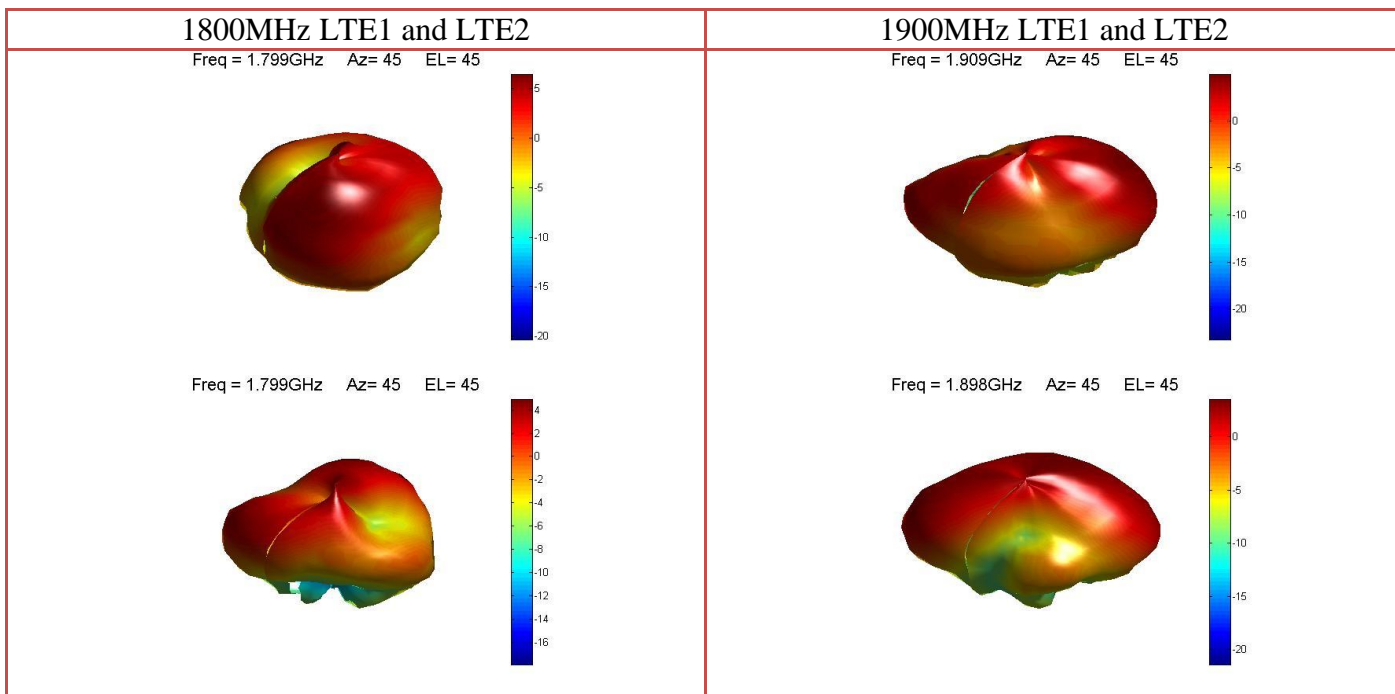
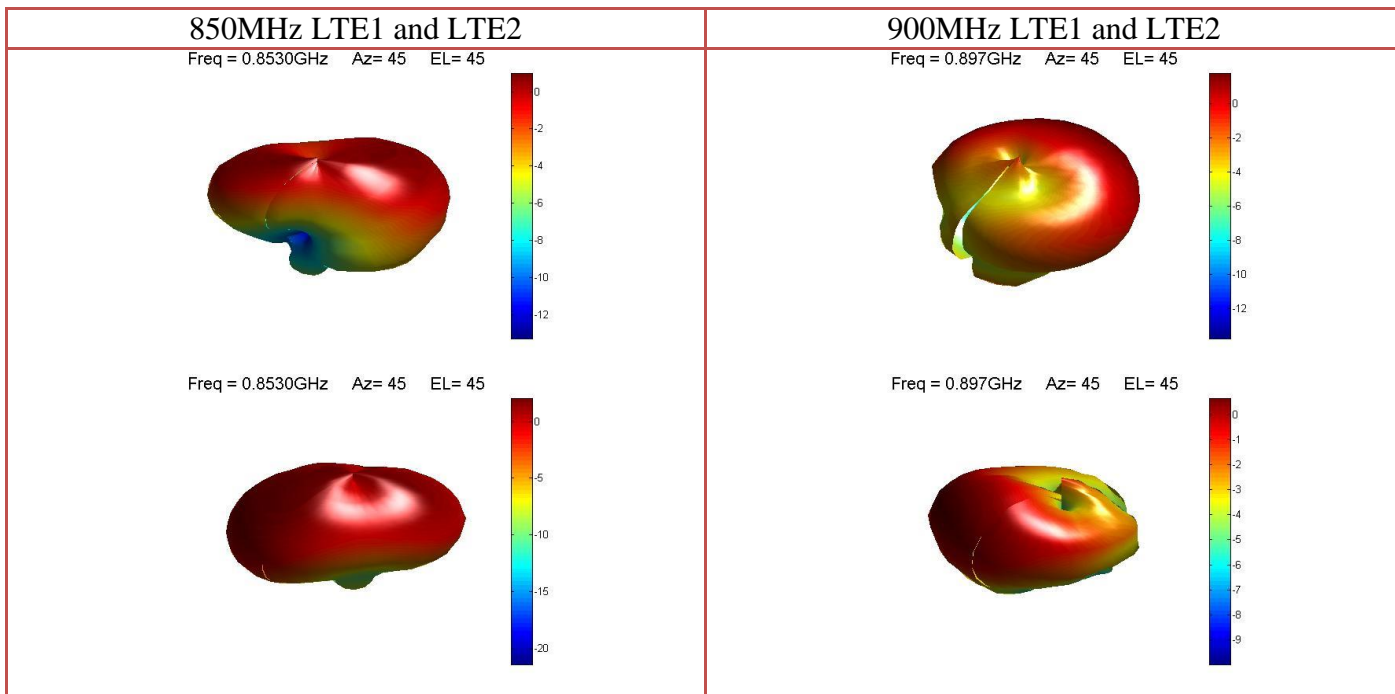
135.5mm x 30mm

Colour:

Black/ Green/ White (for different colours please ask our sales team)



## 2. MEASUREMENT



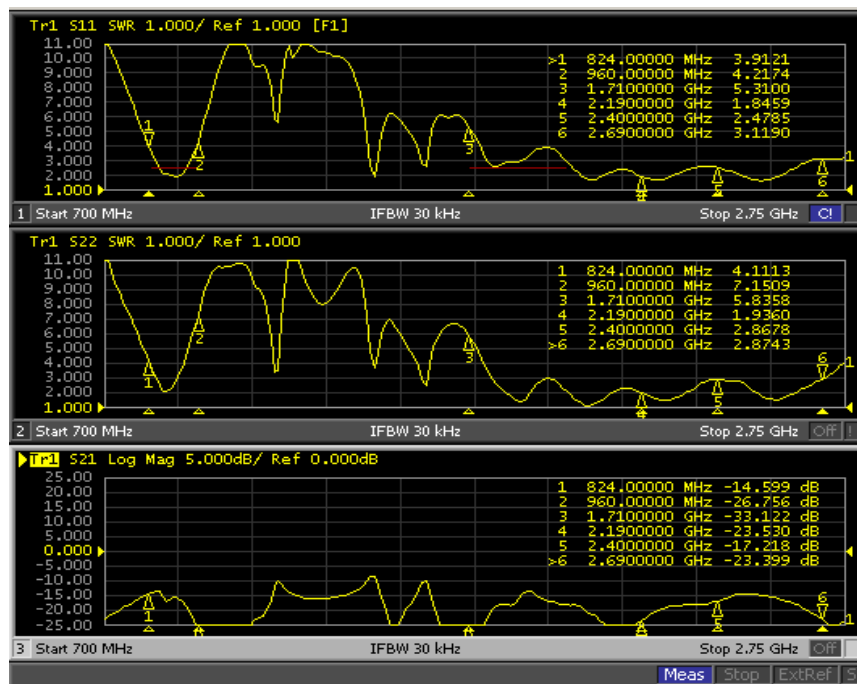
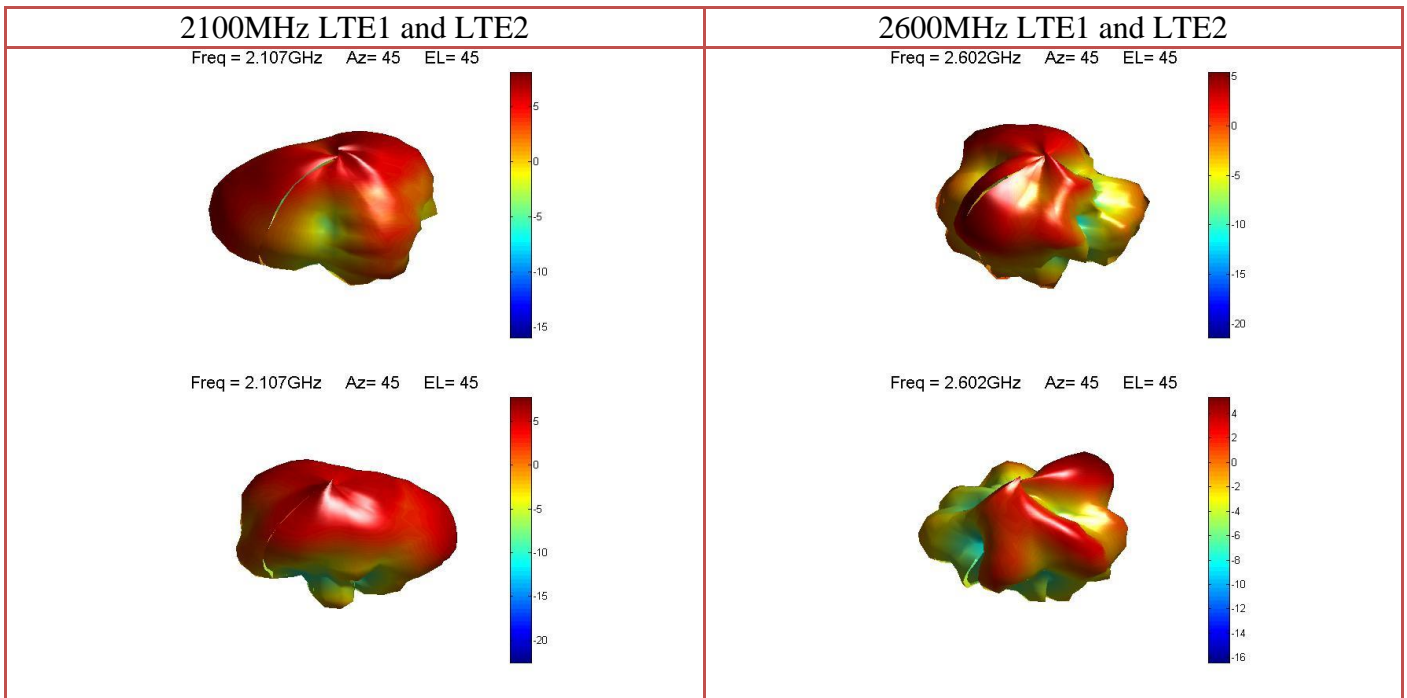


Figure 1 - VSWR for LTE 1 and LTE2 and antenna isolation

### 3. IMAGES

