



2J7501M

2J7501B

(DATASHEET)

Type	GNSS antenna
Frequencies	GPS (1575.42 MHz) GLONASS (1592 - 1610 MHz) GALILEO (1575.42 MHz)
Mounting	2J7501M - Magnetic Mount 2J7501B - Body Mount
Revision	01



P. Tipul

D. Noble



1. PRODUCT SELECTOR

- 2J7501M - Magnetic version
- 2J7501B - Body mount version

2. SPECIFICATION

2.1. Electrical Specifications

Frequencies	GPS (1575.42 MHz) GLONASS (1592 - 1610 MHz) GALILEO (1575.42 MHz)
Impedance	50 Ohms
Noise figure	1.15 dB
Patch size	35 x 35 x 3 mm
Patch gain	0 - 2 dBi
Polarization	RHCP
LNA Gain	26dB at 3V / 27dB at 5V
VSWR	<1.5:1
Voltage supply	2.7 V - 5.5 V
Current	15 mA – 25 mA
Power (max.)	138 mW

2.2. General Specification

Note	Antenna is not filtered.
Operating temperature	-40°C to +85°C

2.3. Connection Specifications

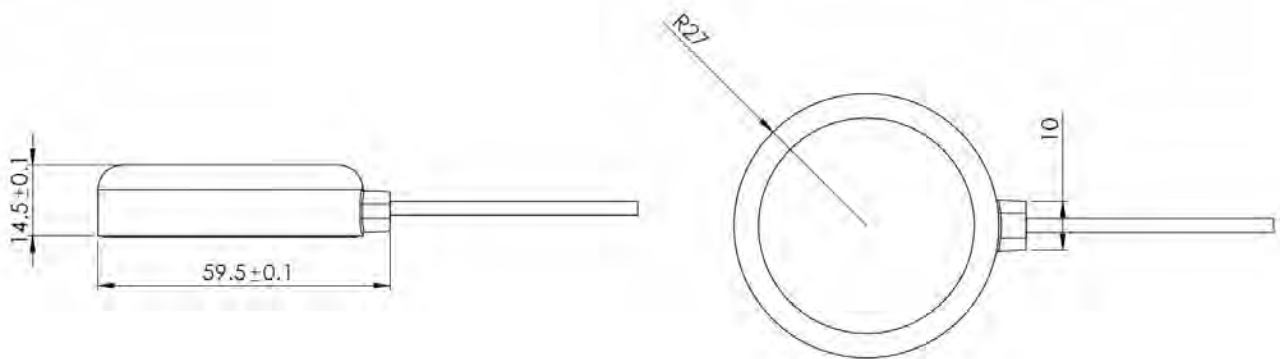
- Connector type: SMA male
- Cable: RG174U
- Cable length: 30 cm

For different cable length and connector type ask our sales team.

2.4. Mechanical Specifications and Dimensions

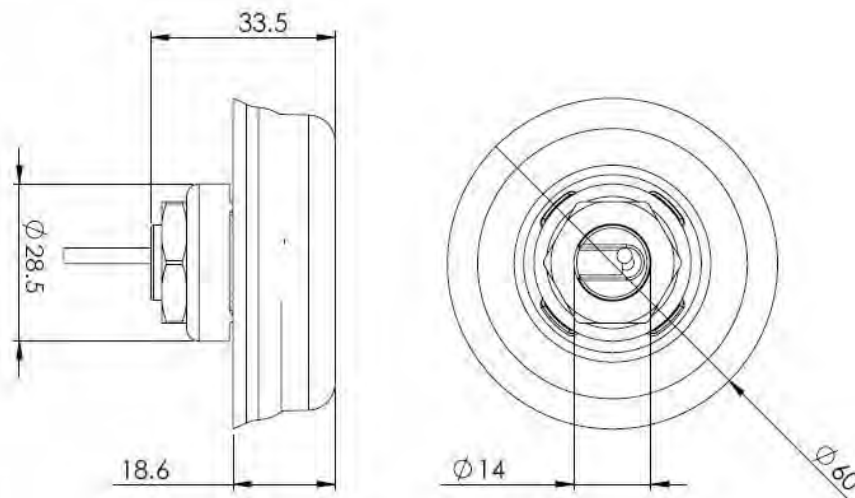
2.4.1. Magnetic Mount (2J7501M)

Material:	Lid: ABS / Base: Zamak
Max. dimensions:	54.5mm x 14.6mm (D x H)
Weight:	72 g 'weight counted with connection above'
Colour:	Black (for different colours please ask our sales team)



1.1.1. Body Mount (2J7501B)

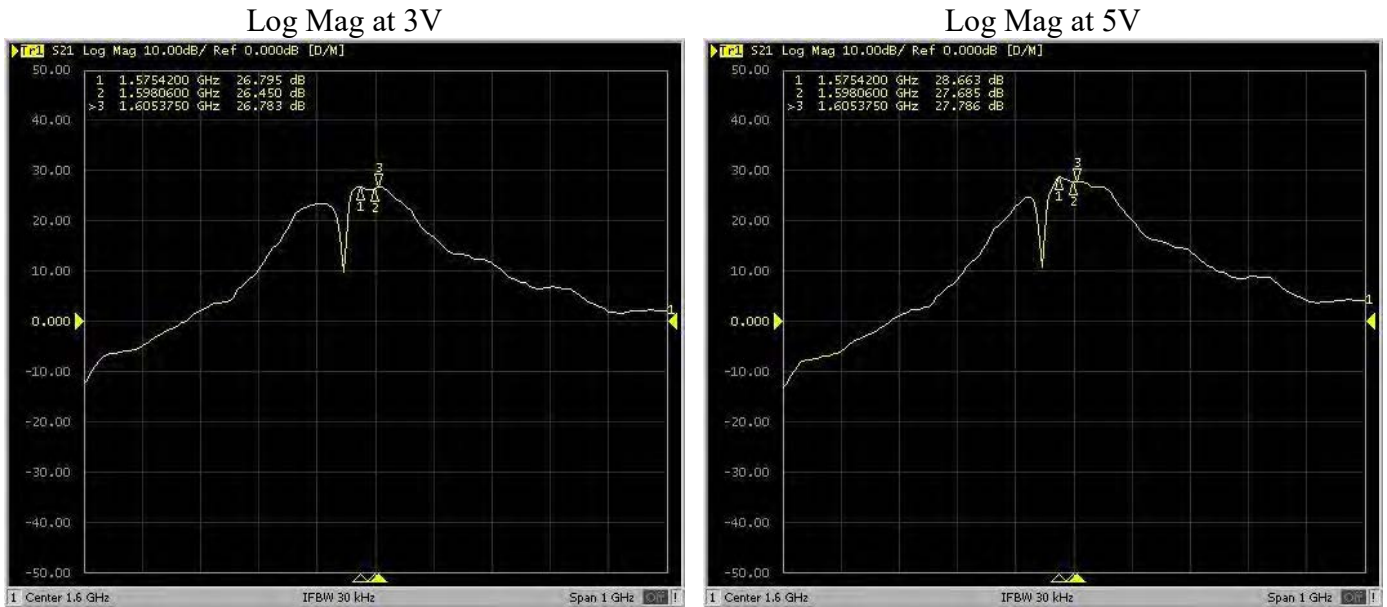
Material:	Lid: ABS / Base: Zamak
Max. dimensions:	60mm x 33.5mm (D x H)
Weight:	72 g 'weight counted with connection above'
Colour:	Black (for different colours please ask our sales team)



2. MEASUREMENT

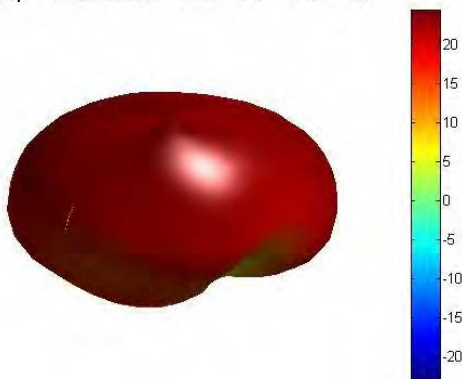
- Tested with 30cm cable RG174 on 20x20 cm groundplane

2.5. S21



2.6. 3D Spherical data

Freq = 1.575GHz Az= 45 EL= 45



Freq = 1.6025GHz Az= 45 EL= 45

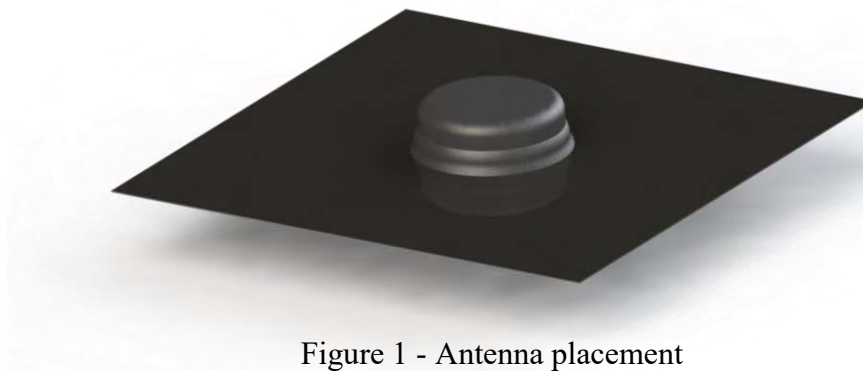
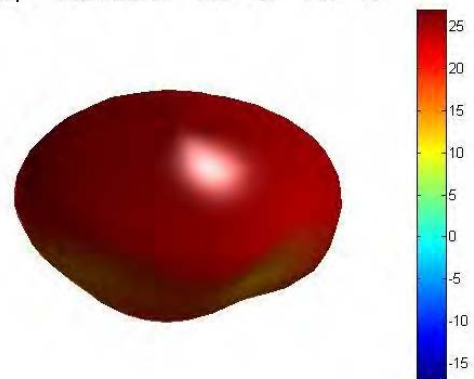


Figure 1 - Antenna placement